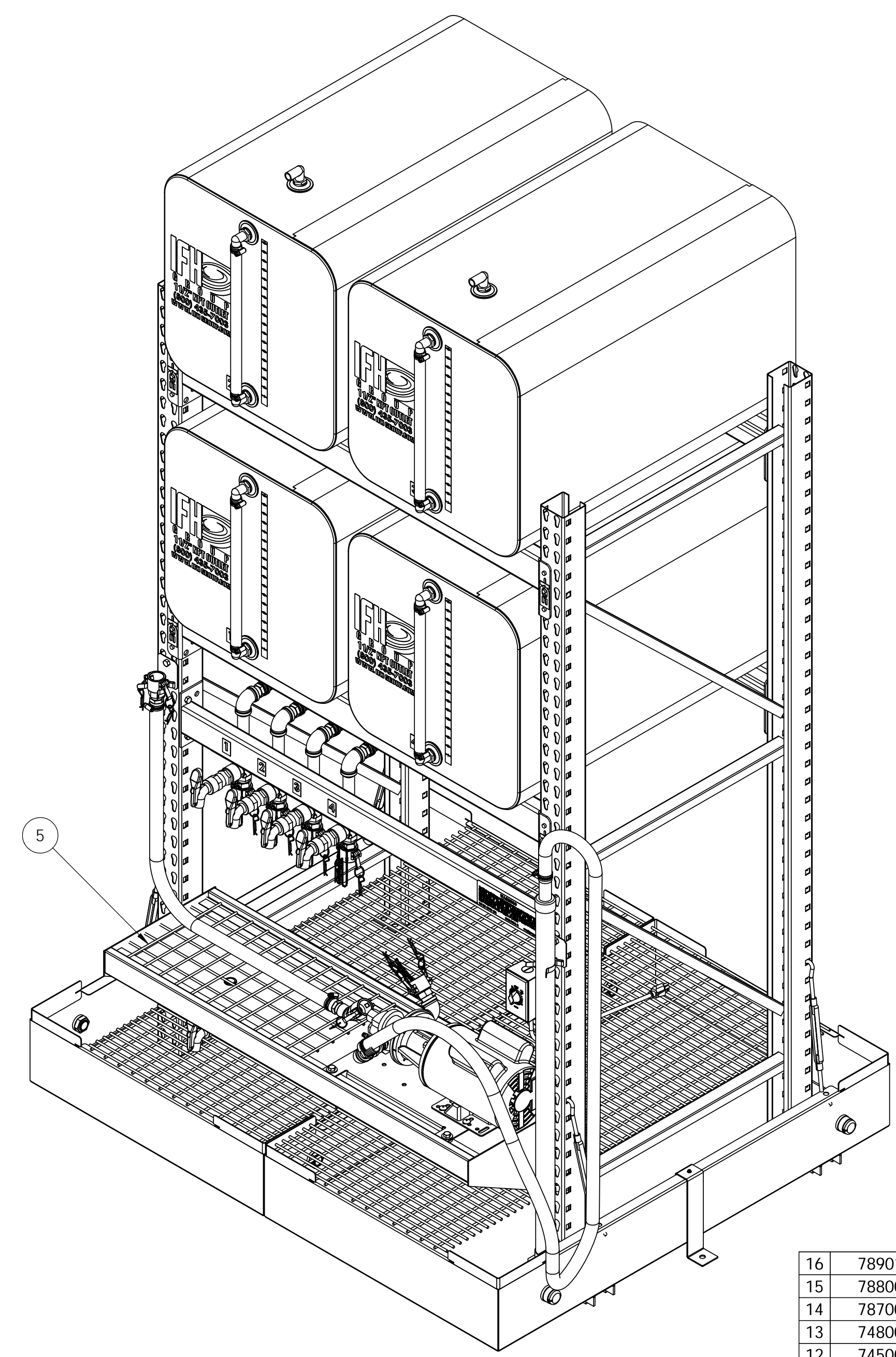
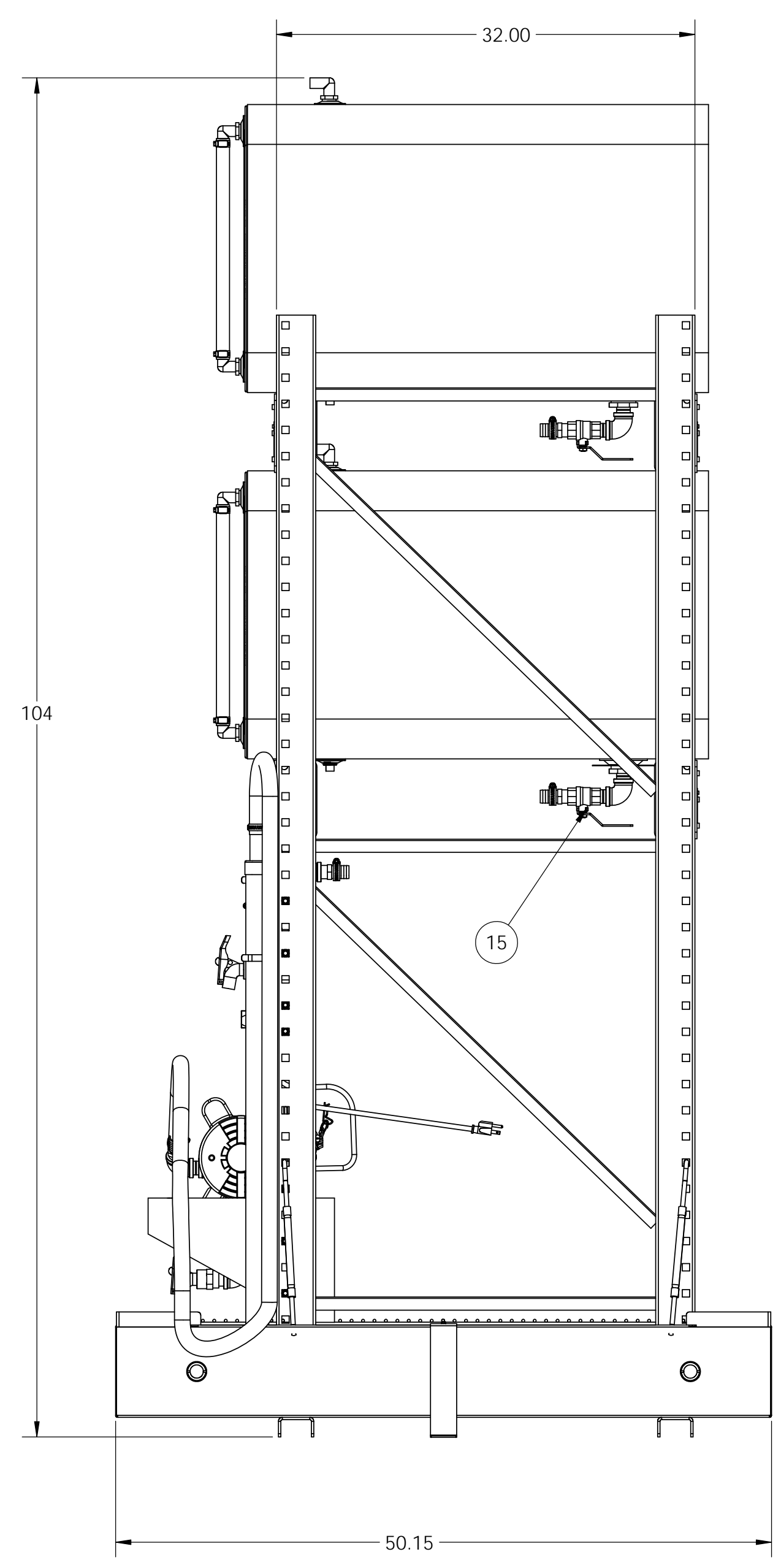
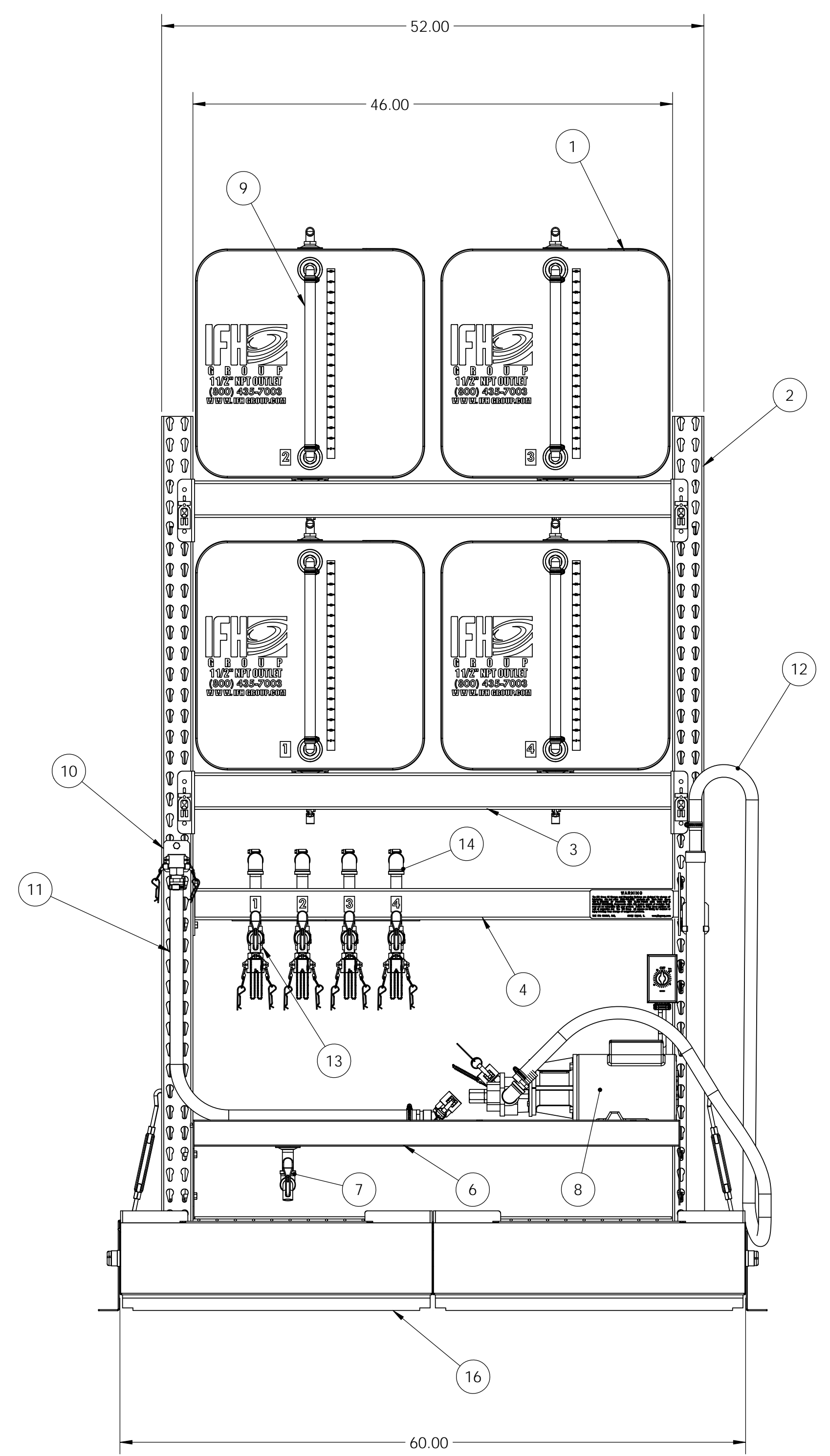


NOTES:



| NO. | PT.NO.    | DESCRIPTION                              | QTY |
|-----|-----------|--|-----|
| 16  | 789015    | PAN CONTAINMENT 2 WIDE SYS KIT           | 1   |
| 15  | 788000    | VALVE SHUT OFF KIT 3/4 POLY/STEEL        | 4   |
| 14  | 787000    | VALVE ARRANGEMENT KIT 3/4 STEEL/POLY     | 4   |
| 13  | 748000    | VALVE ARRANGEMENT ASSY 3/4 NPT           | 2   |
| 12  | 745002    | SUCTION TUBE ASSEMBLY                    | 1   |
| 11  | 745001    | HOSE ASSY. DISCHARGE HD                  | 1   |
| 10  | 745000    | HOSE ASSY HARDWARE KIT                   | 1   |
| 9   | 743100    | SIGHT GAUGE KIT PVC 18 C-C               | 4   |
| 8   | 741057    | TRANSFER UNIT 1.5 HP W/TIMER             | 1   |
| 7   | 733004    | DRIP PAN PARTS BAG                       | 1   |
| 6   | 730007    | DRIP PAN ASSY 46.75 Lg.                  | 1   |
| 5   | 385002    | SCREEN 2.0 X 2.0 MESH 12.0 X 24.50 STEEL | 1   |
| 4   | 327013    | CHANNEL BEAM KIT 46.75 Lg.               | 1   |
| 3   | 326002    | STEP BEAM 46.75 Lg.                      | 4   |
| 2   | 301000    | FRAME UPRIGHT 32 X 84                    | 2   |
| 1   | 100001172 | CONTAINER 65 GAL. STL.                   | 4   |

BILL OF MATERIAL

**CUSTOMER INFORMATION**  
 CUSTOMER:  
 CUSTOMER No:  
 CAPACITY IS APPROX. 260 GAL  
 POWDER:  
 PALITIZE TO SHIP

**DRAWING APPROVAL**  
 APVD BY \_\_\_\_\_  
 (SIGNATURE)  
 APVD BY \_\_\_\_\_  
 (PRINTED)  
 APVL DATE \_\_\_\_\_

**DO NOT SCALE DRAWING**  
 UNLESS OTHERWISE SPECIFIED DIMENSIONS ARE IN INCHES TOLLERANCES ARE:  
 .X = ± .125 FRACTIONAL DIMENSIONS ± .125  
 .XX = ± .093 FILLET RADII .000 THRU +.094  
 .XXX = ± .062 HOLES .000 THRU .015  
 ANGLES ± 1 DEGREE

**PROPRIETARY AND CONFIDENTIAL**  
 THE INFORMATION CONTAINED IN THIS DRAWING IS THE SOLE PROPERTY OF Innovative Fluid Handling Group. ANY REPRODUCTION IN PART OR AS A WHOLE WITHOUT THE WRITTEN PERMISSION OF The IFH Group INC. IS PROHIBITED.



**TITLE:**  
 SYSTEM 054100 HDS4  
 IFH GROUP SYSTEMS

**DWG. NO.** 100001600

**SCALE:** 1:9  
**RFC:**

**DWR:** TW  
**APVD BY:** P.A.

**DATE:** 3/20/2014  
**SHEET 1 OF 1**

**REV** 000

MATERIAL: NOTED