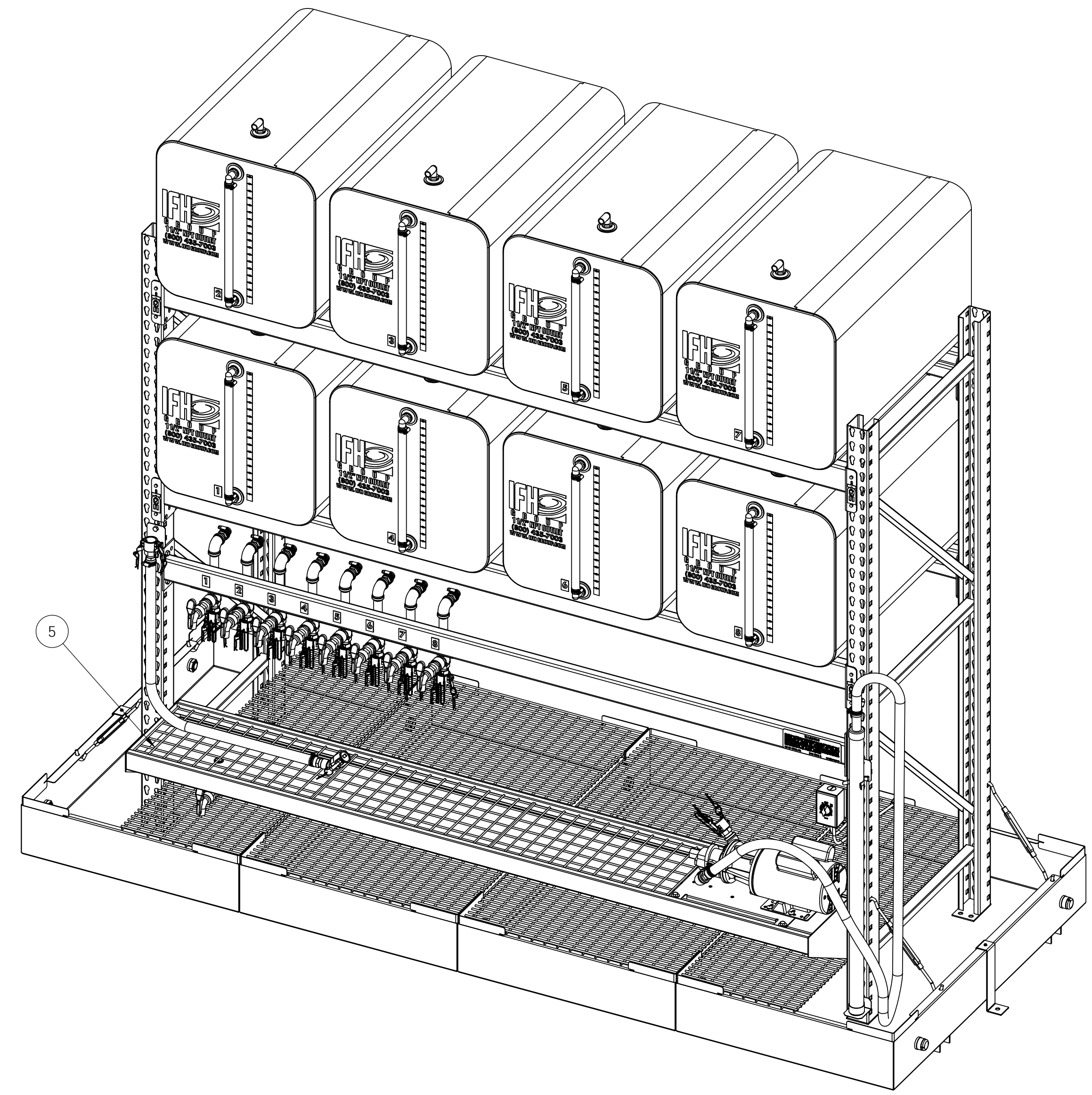
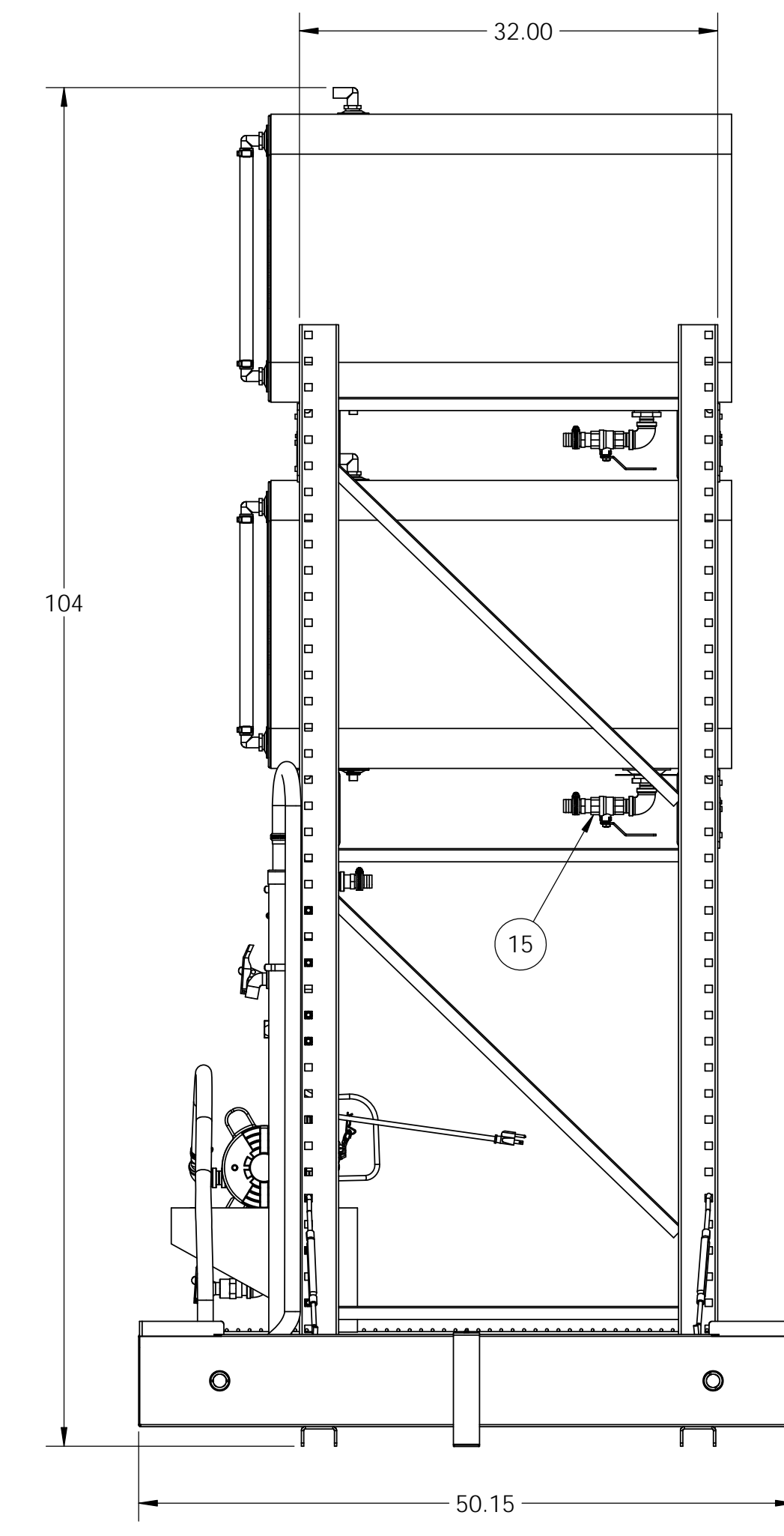
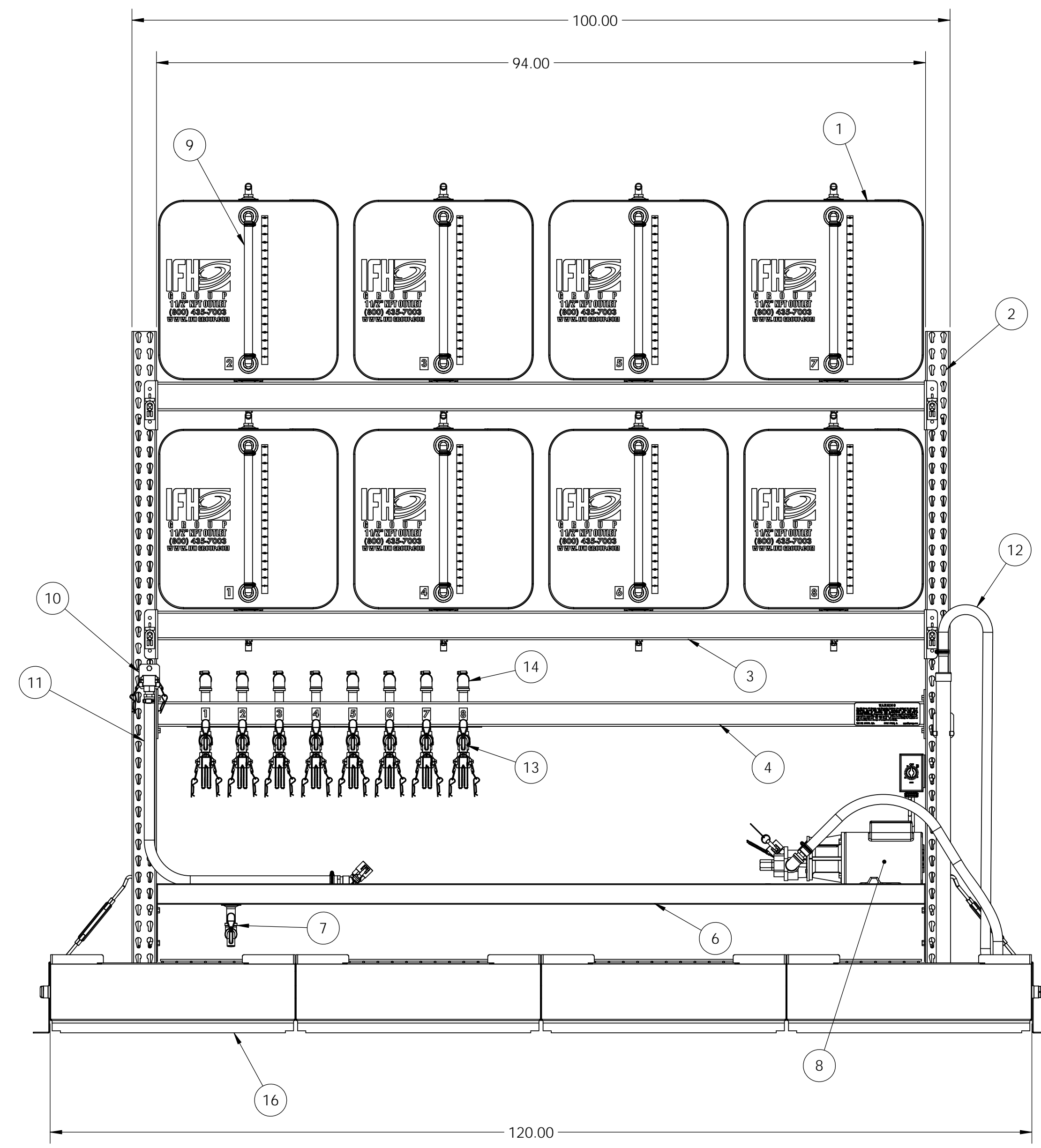


NOTES:



NO.	PT.NO.	DESCRIPTION	QTY.
16	789017	PAN CONTAINMENT 4 WIDE SYS KIT	1
15	788000	VALVE SHUT OFF KIT 3/4 POLY/STEEL	8
14	787000	VALVE ARRANGEMENT KIT 3/4 STEEL/POLY	8
13	748000	VALVE ARRANGEMENT ASSY 3/4 NPT	4
12	745002	SUCTION TUBE ASSEMBLY	1
11	745001	HOSE ASSY. DISCHARGE HD	1
10	745000	HOSE ASSY HARDWARE KIT	1
9	743100	SIGHT GAUGE KIT PVC 18 C-C	8
8	741057	TRANSFER UNIT 1.5 HP W/TIMER	1
7	733004	DRIP PAN PARTS BAG	1
6	730009	DRIP PAN ASSY 94.00 Lg.	1
5	385002	SCREEN 2.0 X 2.0 MESH 12.0 X 24.50 STEEL	3
4	327015	CHANNEL BEAM KIT 94 Lg	1
3	326000	BEAM STEP 3.5 X 94.00 SERIES 2000	4
2	301000	FRAME UPRIGHT 32 X 84	2
1	100001172	CONTAINER 65 GAL. STL.	8

MATERIAL: NOTED

CUSTOMER INFORMATION		DRAWING APPROVAL		DO NOT SCALE DRAWING UNLESS OTHERWISE SPECIFIED DIMENSIONS ARE IN INCHES TOLLERANCES ARE:		IFH GROUP ROCK FALLS, ILLINOIS 61071 USA		TITLE:	
CUSTOMER:		APVD BY _____	(SIGNATURE)	.X = ± .125	FRACTIONAL DIMENSIONS ± .125			SYSTEM 101104 HDK8	
CUSTOMER No:		APVD BY _____	(PRINTED)	.XX = ± .093	FILLET RADII .000 THRU +.094			IFH GROUP SYSTEMS	
CUSTOMER REVISION LEVEL:		APVL DATE _____		.XXX = ± .062	HOLES .000 THRU .015			DWG. NO. 100001612	
CAPACITY IS APPROX. 520 GAL				ANGLES ± 1 DEGREE		SCALE: 1:11	DWR: TW	DATE: 5/6/2014	REV 000
POWDER:						RFC:	APVD BY: P.A.	SHEET 1 OF 1	
PALITIZE TO SHIP									

PROPRIETARY AND CONFIDENTIAL
THE INFORMATION CONTAINED IN THIS DRAWING IS THE SOLE PROPERTY OF Innovative Fluid Handling Group. ANY REPRODUCTION IN PART OR AS A WHOLE WITHOUT THE WRITTEN PERMISSION OF The IFH Group INC. IS PROHIBITED.

SCALE: 1:11
RFC:

TITLE:
SYSTEM 101104 HDK8
IFH GROUP SYSTEMS
DWG. NO. 100001612
DWR: TW
APVD BY: P.A.
DATE: 5/6/2014
SHEET 1 OF 1
REV 000