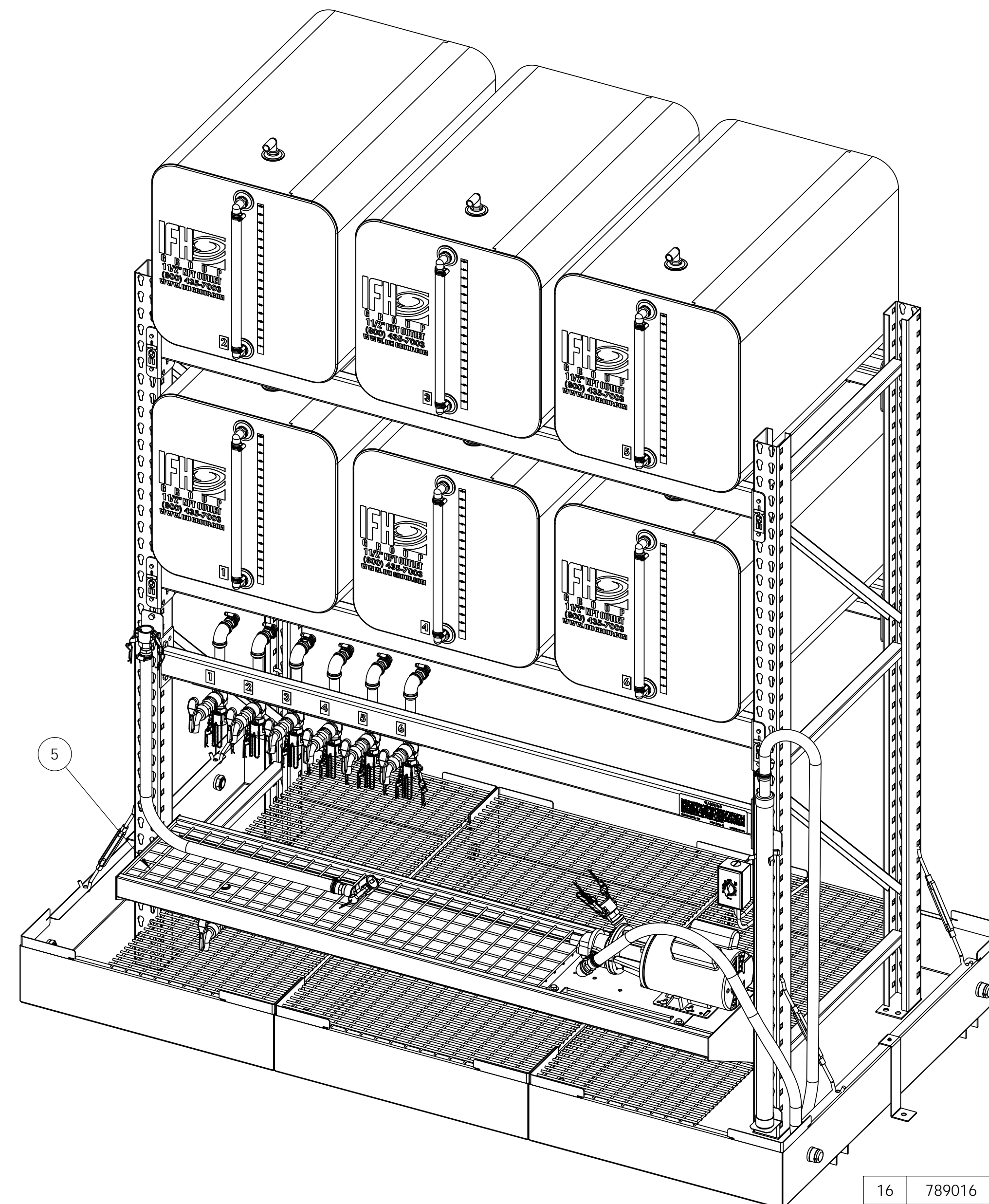
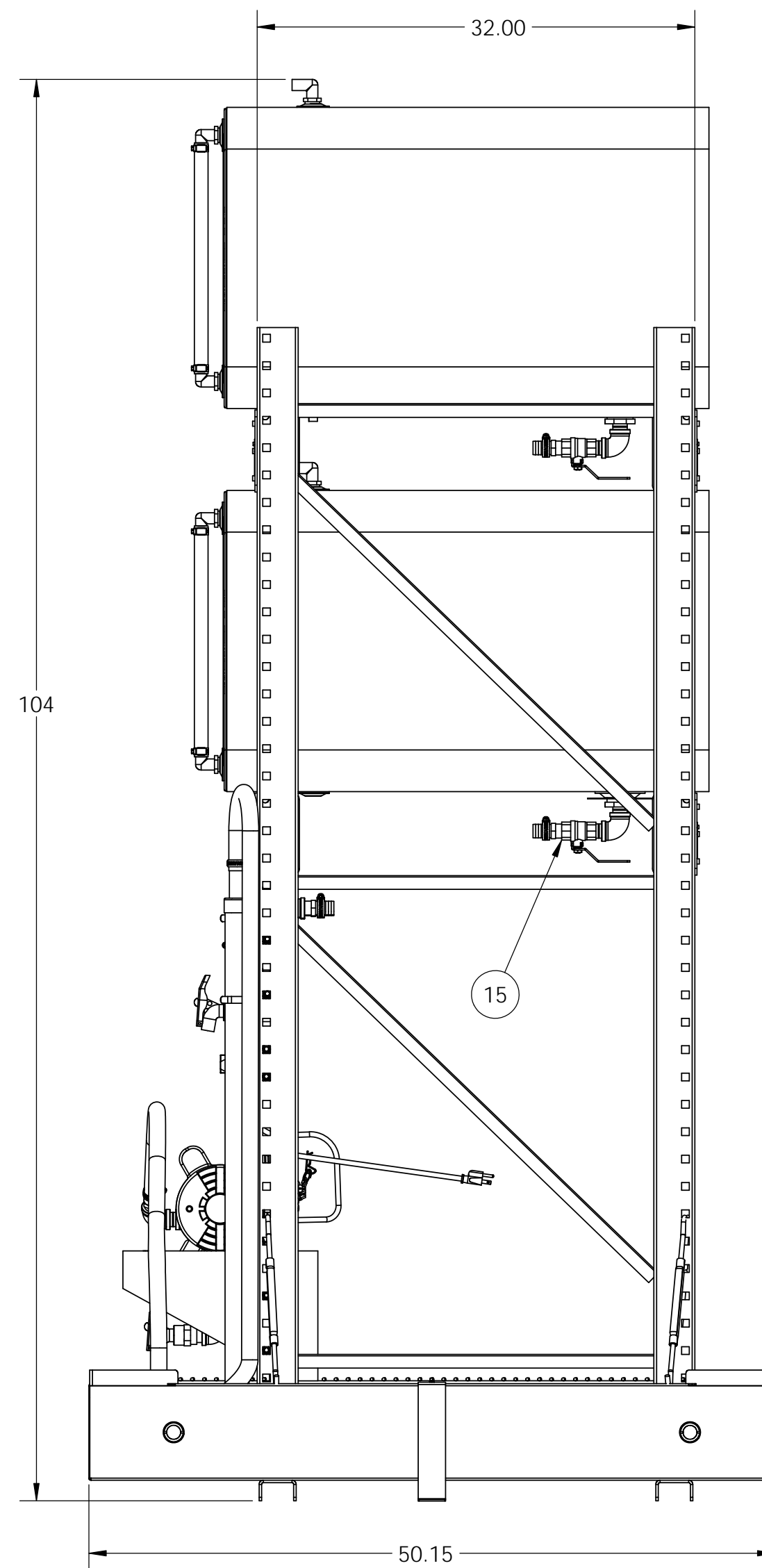
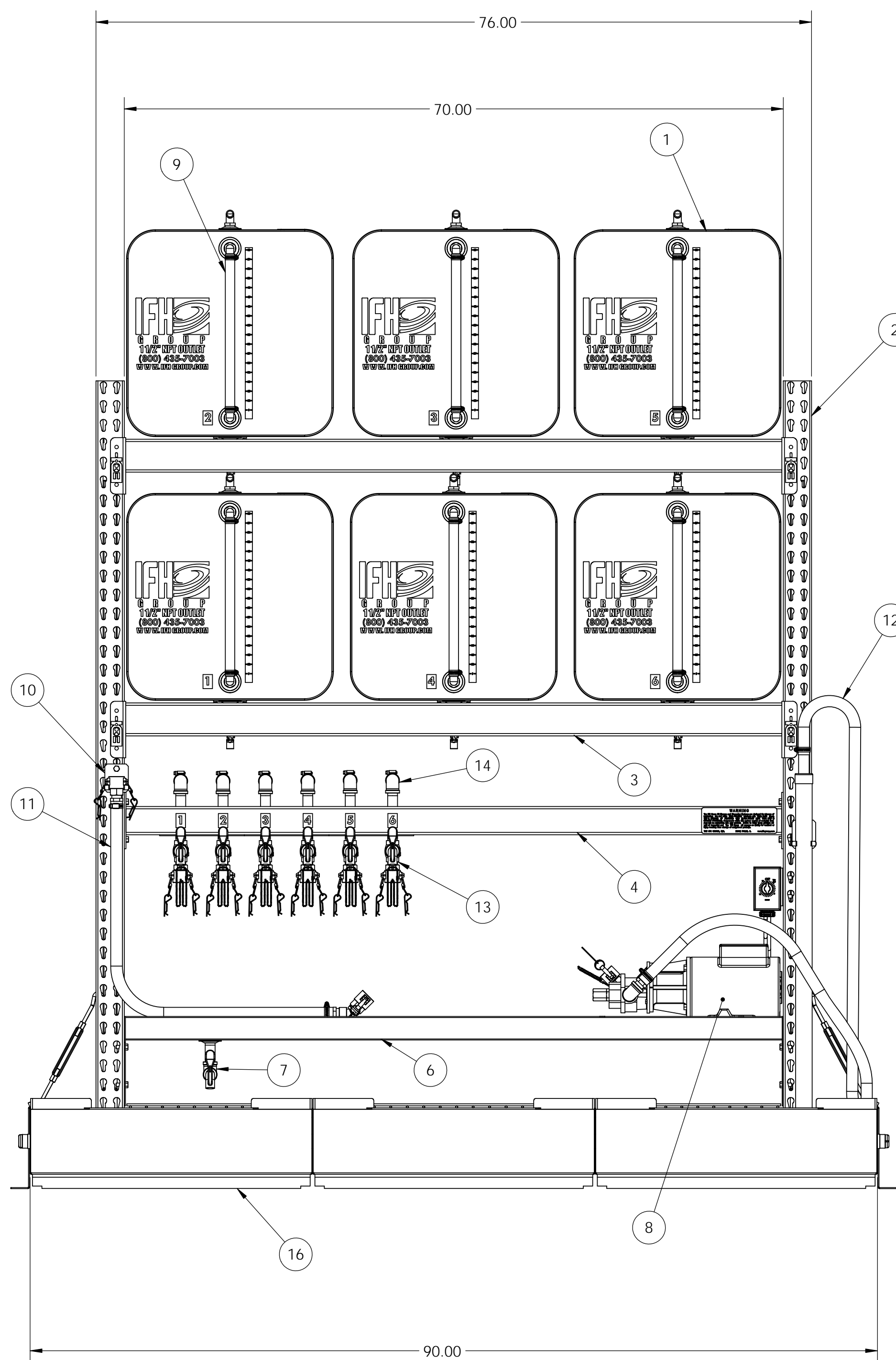


NOTES:

REV.	DESCRIPTION	DATE	APVD.
------	-------------	------	-------



NO.	PT.NO.	DESCRIPTION	QTY.
16	789016	PAN CONTAINMENT 3 WIDE SYS KIT	1
15	788000	VALVE SHUT OFF KIT 3/4 POLY/STEEL	6
14	787000	VALVE ARRANGEMENT KIT 3/4 STEEL/POLY	6
13	748000	VALVE ARRANGEMENT ASSY 3/4 NPT	3
12	745002	SUCTION TUBE ASSEMBLY	1
11	745001	HOSE ASSY. DISCHARGE HD	1
10	745000	HOSE ASSY HARDWARE KIT	1
9	743100	SIGHT GAUGE KIT PVC 18 C-C	6
8	741057	TRANSFER UNIT 1.5 HP W/TIMER	1
7	733004	DRIP PAN PARTS BAG	1
6	730000	DRIP PAN ASSY 70.00 Lg.	1
5	385002	SCREEN 2.0 X 2.0 MESH 12.0 X 24.50 STEEL	2
4	327014	CHANNEL BEAM KIT 70 Lg.	1
3	326003	STEP BEAM 70.00 Lg.	4
2	301000	FRAME UPRIGHT 32 X 84	2
1	100001172	CONTAINER 65 GAL. STL.	6

BILL OF MATERIAL

MATERIAL: NOTED

CUSTOMER INFORMATION

CUSTOMER:  
 CUSTOMER No:  
 CUSTOMER REVISION LEVEL:  
 CAPACITY IS APPROX. 390 GAL  
 POWDER:  
 PALITIZE TO SHIP

DRAWING APPROVAL

APVD BY \_\_\_\_\_  
 (SIGNATURE)  
 APVD BY \_\_\_\_\_  
 (PRINTED)  
 APVL DATE \_\_\_\_\_

DO NOT SCALE DRAWING  
 UNLESS OTHERWISE SPECIFIED DIMENSIONS ARE  
 IN INCHES TOLLERANCES ARE:

.X = ± .125 FRACTIONAL DIMENSIONS ± .125  
 .XX = ± .093 FILLET RADII .000 THRU +.094  
 .XXX = ± .062 HOLES .000 THRU .015  
 ANGLES ± 1 DEGREE

PROPRIETARY AND CONFIDENTIAL

THE INFORMATION CONTAINED IN THIS DRAWING IS THE SOLE  
 PROPERTY OF Innovative Fluid Handling Group. ANY REPRODUCTION  
 IN PART OR AS A WHOLE WITHOUT THE WRITTEN PERMISSION OF THE IFH  
 Group INC. IS PROHIBITED.



SCALE: 1:9.75  
 RFO:

TITLE:

SYSTEM 076104 HDJ6

IFH GROUP SYSTEMS

DWG. NO. 100001605

DWR: TW DATE: 4/15/2014  
 APVD BY: P.A. SHEET 1 OF 1 REV 000