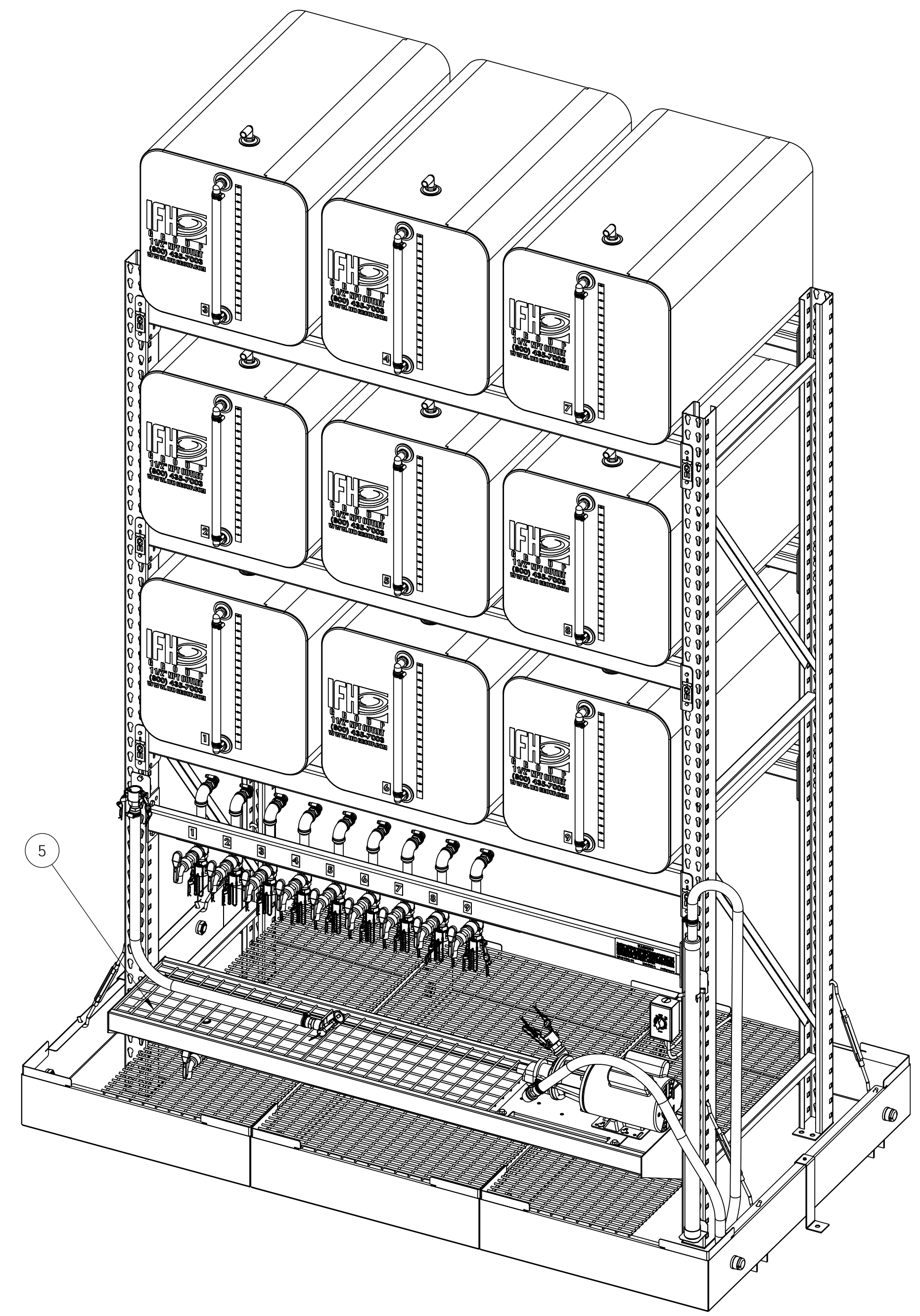
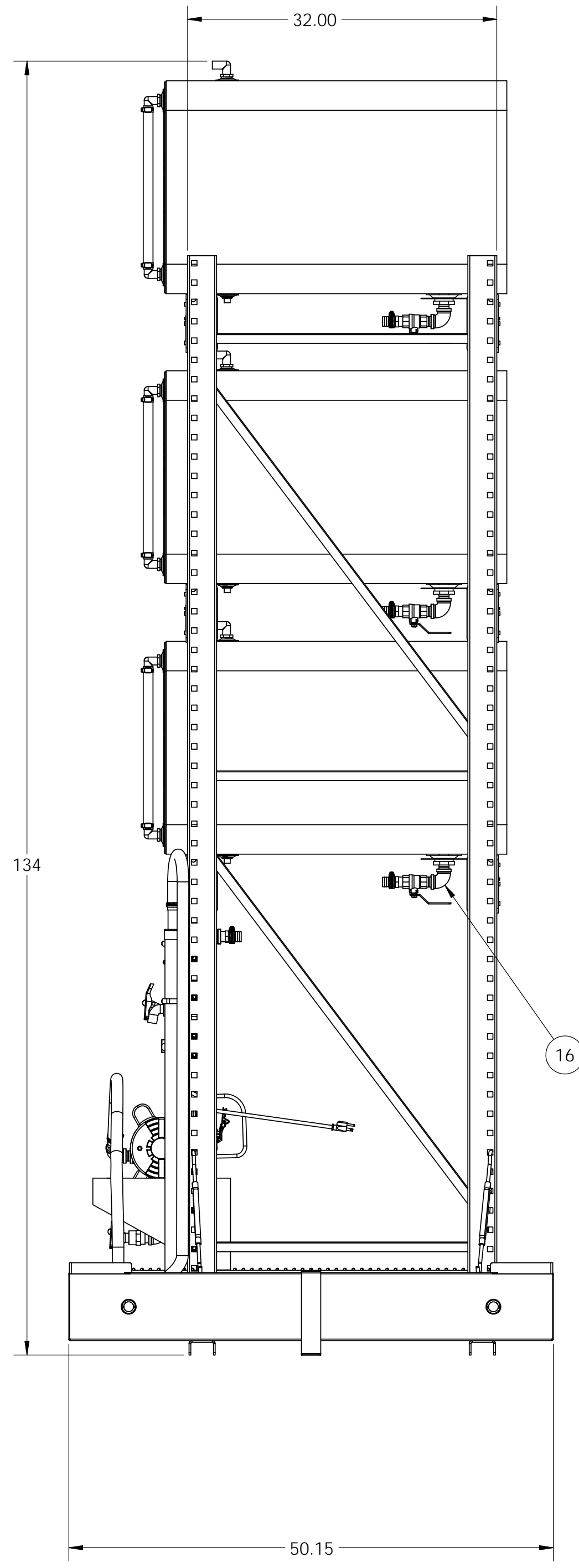
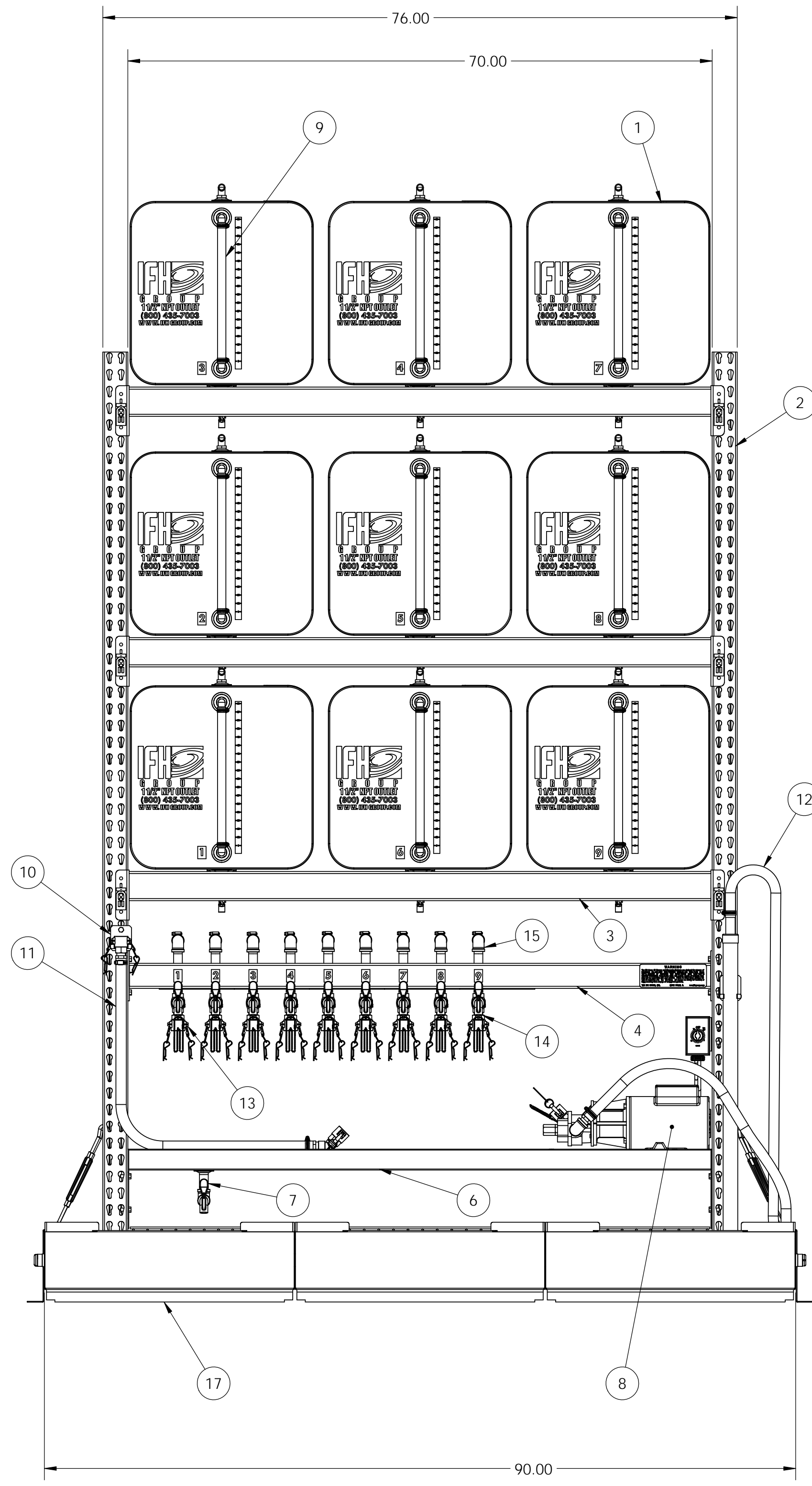


NOTES:



NO.	PT. NO.	DESCRIPTION	QTY.
17	789016	PAN CONTAINMENT 3 WIDE SYS KIT	1
16	788000	VALVE SHUT OFF KIT 3/4 POLY/STEEL	9
15	787000	VALVE ARRANGEMENT KIT 3/4 STEEL/POLY	9
14	748002	VALVE ARG ASSY STD 3/4" SINGLE	1
13	748000	VALVE ARRANGEMENT ASSY 3/4 NPT	4
12	745002	SUCTION TUBE ASSEMBLY	1
11	745001	HOSE ASSY. DISCHARGE HD	1
10	745000	HOSE ASSY HARDWARE KIT	1
9	743100	SIGHT GAUGE KIT PVC 18 C-C	9
8	741057	TRANSFER UNIT 1.5 HP W/TIMER	1
7	733004	DRIP PAN PARTS BAG	1
6	730000	DRIP PAN ASSY 70.00 Lg.	1
5	385002	SCREEN 2.0 X 2.0 MESH 12.0 X 24.50 STEEL	2
4	327014	CHANNEL BEAM KIT 70 Lg.	1
3	326003	STEP BEAM 70.00 Lg.	6
2	301001	FRAME UPRIGHT 32 X 112	2
1	100001172	CONTAINER 65 GAL. STL.	9

BILL OF MATERIAL

CUSTOMER INFORMATION
 CUSTOMER:
 CUSTOMER No:
 CUSTOMER REVISION LEVEL:
 CAPACITY IS APPROX. 585 GAL
 POWDER:
 PALITIZE TO SHIP

DRAWING APPROVAL
 APVD BY _____
 (SIGNATURE)
 APVD BY _____
 (PRINTED)
 APVL DATE _____

DO NOT SCALE DRAWING
 UNLESS OTHERWISE SPECIFIED DIMENSIONS ARE IN INCHES TOLLERANCES ARE:
 .X = ± .125 FRACTIONAL DIMENSIONS ± .125
 .XX = ± .093 FILLET RADII .000 THRU +.094
 .XXX = ± .062 HOLES .000 THRU .015
 ANGLES ± 1 DEGREE
PROPRIETARY AND CONFIDENTIAL
 THE INFORMATION CONTAINED IN THIS DRAWING IS THE SOLE PROPERTY OF Innovative Fluid Handling Group. ANY REPRODUCTION IN PART OR AS A WHOLE WITHOUT THE WRITTEN PERMISSION OF The IFH Group INC. IS PROHIBITED.



TITLE:
 SYSTEM 076160 HDF9
 IFH GROUP SYSTEMS
DWG. NO. 100001621
SCALE: 1:11
DWR: TW
DATE: 9/25/2014
REV 000
SHEET 1 OF 1

MATERIAL: NOTED